



US006898210B1

(12) **United States Patent**
Cheng et al.

(10) **Patent No.:** **US 6,898,210 B1**
(45) **Date of Patent:** **May 24, 2005**

(54) **SYSTEM AND METHOD FOR PROVIDING A LOCAL AREA NETWORK UTILIZING REMOTE TRANSCEIVERS**

(75) Inventors: **Yaqi Cheng**, Smyrna, GA (US); **Richard G. C. Williams**, San Diego, CA (US); **John R. Rosenlof**, LaMesa, CA (US); **A. Joseph Mueller**, San Diego, CA (US)

(73) Assignee: **3Com Corporation**, Marlborough, MA (US)

(*) Notice: Subject to any disclaimer, the term of this patent is extended or adjusted under 35 U.S.C. 154(b) by 975 days.

(21) Appl. No.: **09/584,650**

(22) Filed: **May 31, 2000**

Related U.S. Application Data

(63) Continuation-in-part of application No. 09/472,383, filed on Dec. 23, 1999, now abandoned.

(51) **Int. Cl.**⁷ **H04J 1/00**

(52) **U.S. Cl.** **370/480; 370/463; 370/465; 370/478; 375/220; 375/222**

(58) **Field of Search** **370/282, 295, 370/437, 454, 459, 463, 465, 478, 480, 482; 375/219, 220, 222**

(56) **References Cited**

U.S. PATENT DOCUMENTS

5,867,528 A	*	2/1999	Verbueken	375/222
6,069,899 A	*	5/2000	Foley	370/494
6,088,386 A	*	7/2000	Spruyt et al.	375/222
6,310,909 B1	*	10/2001	Jones	375/220
6,351,473 B1	*	2/2002	Reusens et al.	370/480
6,434,189 B1	*	8/2002	Murphy	375/222
6,483,869 B1	*	11/2002	DesJardins	375/222

* cited by examiner

Primary Examiner—Dang Ton

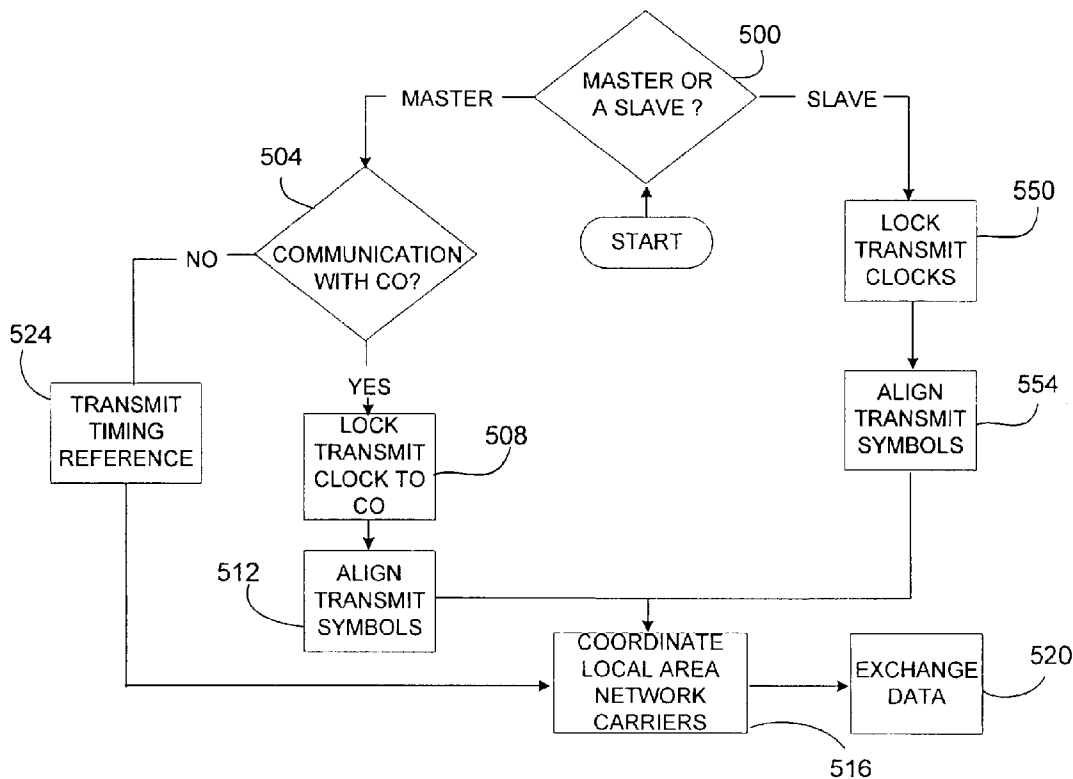
Assistant Examiner—Shick Hom

(74) *Attorney, Agent, or Firm*—McDonnell Boehnen Hulbert & Berghoff LLP

(57) **ABSTRACT**

A system and method for providing a local area network utilizing discrete multitone transceivers includes at least two discrete multitone transceivers each of which may be capable of communicating with the central office and with other discrete multitone transceivers in communication with the local area network. The local area network utilizes a set of carriers coordinated between the first discrete multitone transceiver and the second discrete multitone transceiver providing a communication link between the first discrete multitone transceiver and the second discrete multitone transceiver.

21 Claims, 10 Drawing Sheets



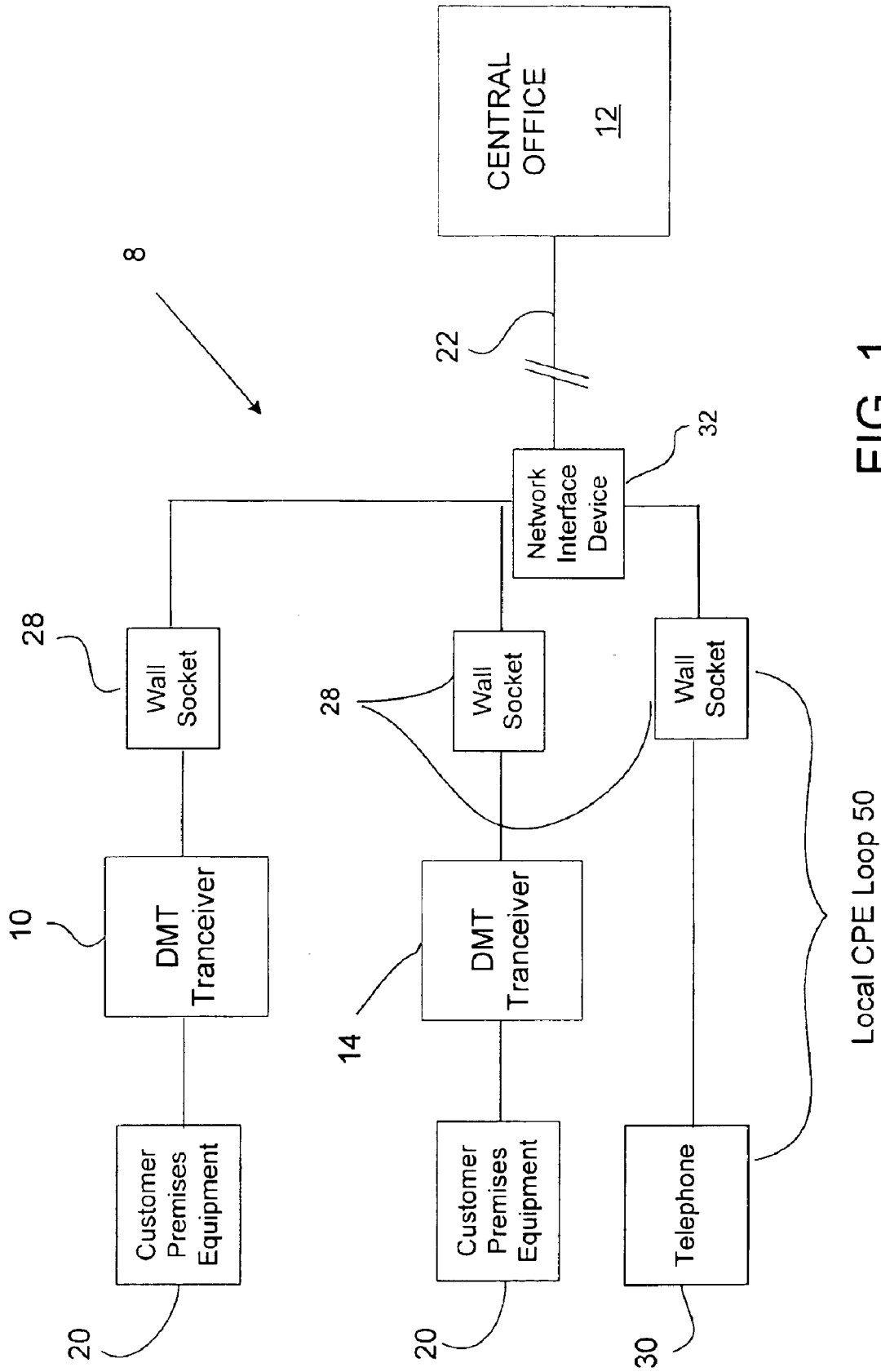


FIG. 1

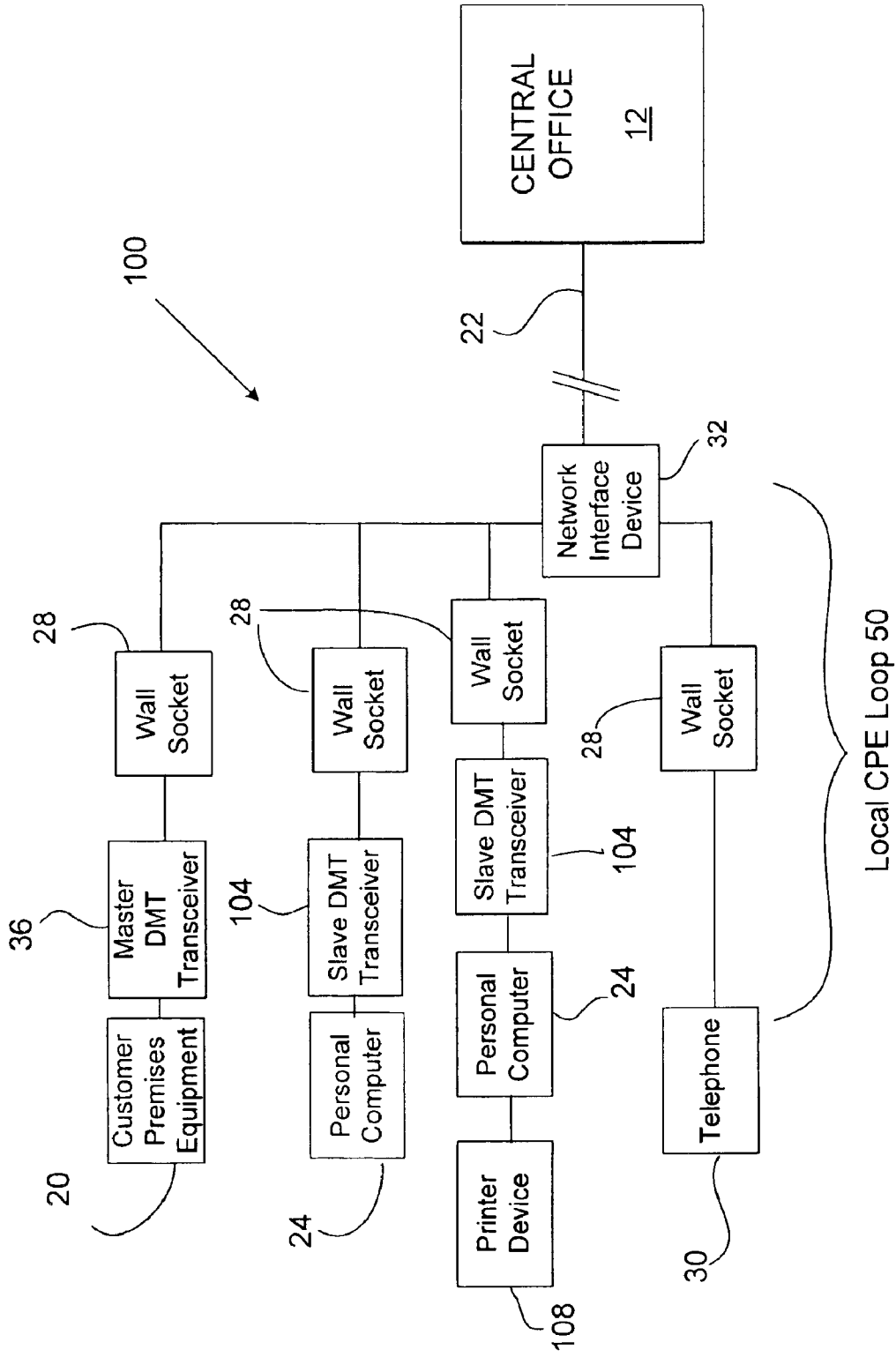


FIG. 2

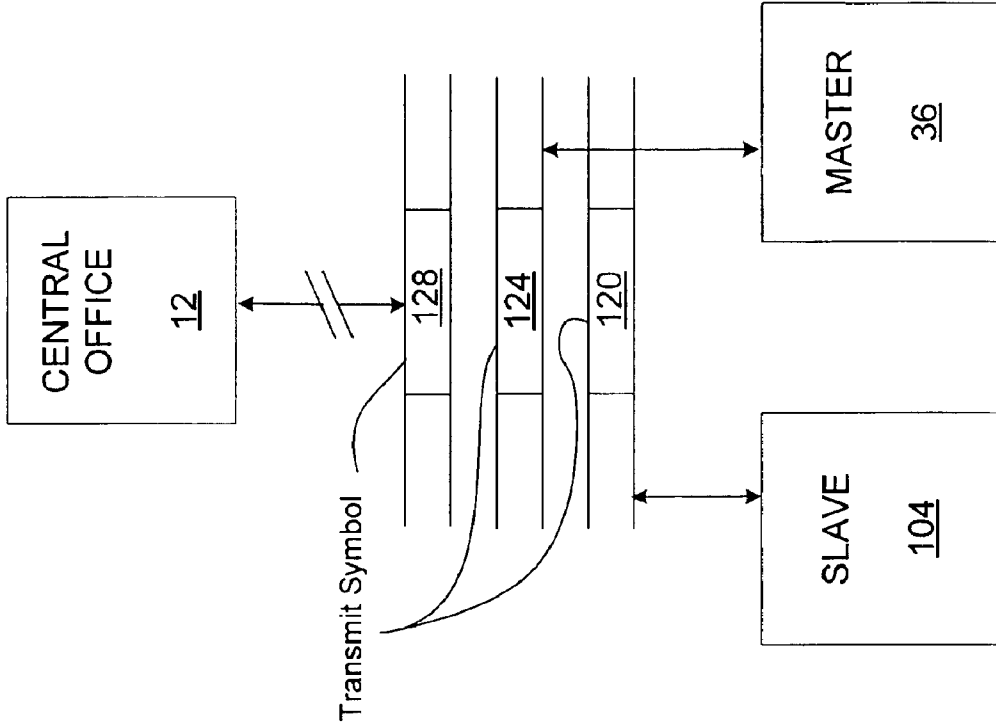


FIG. 3A

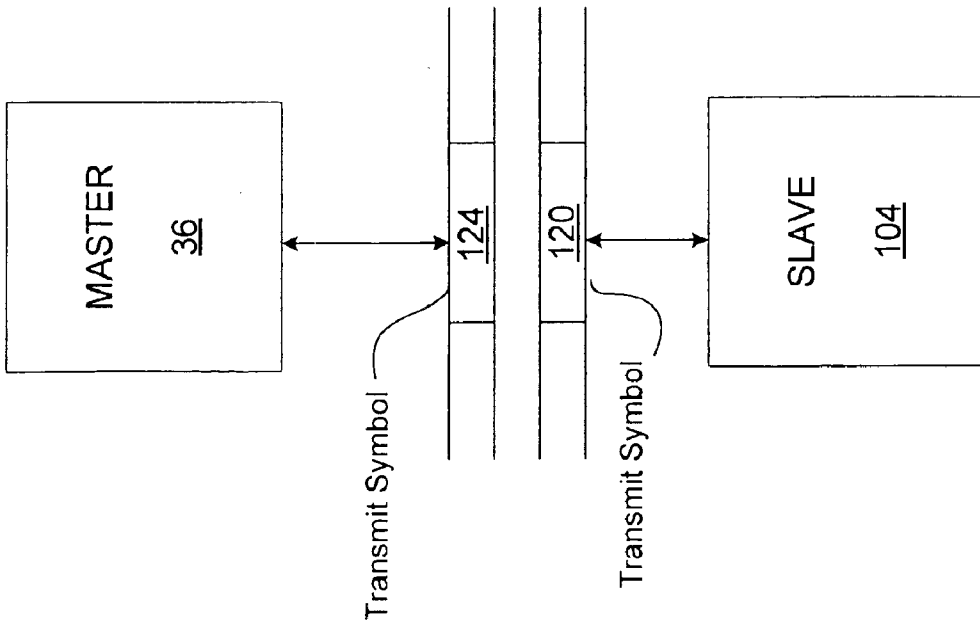


FIG. 3B

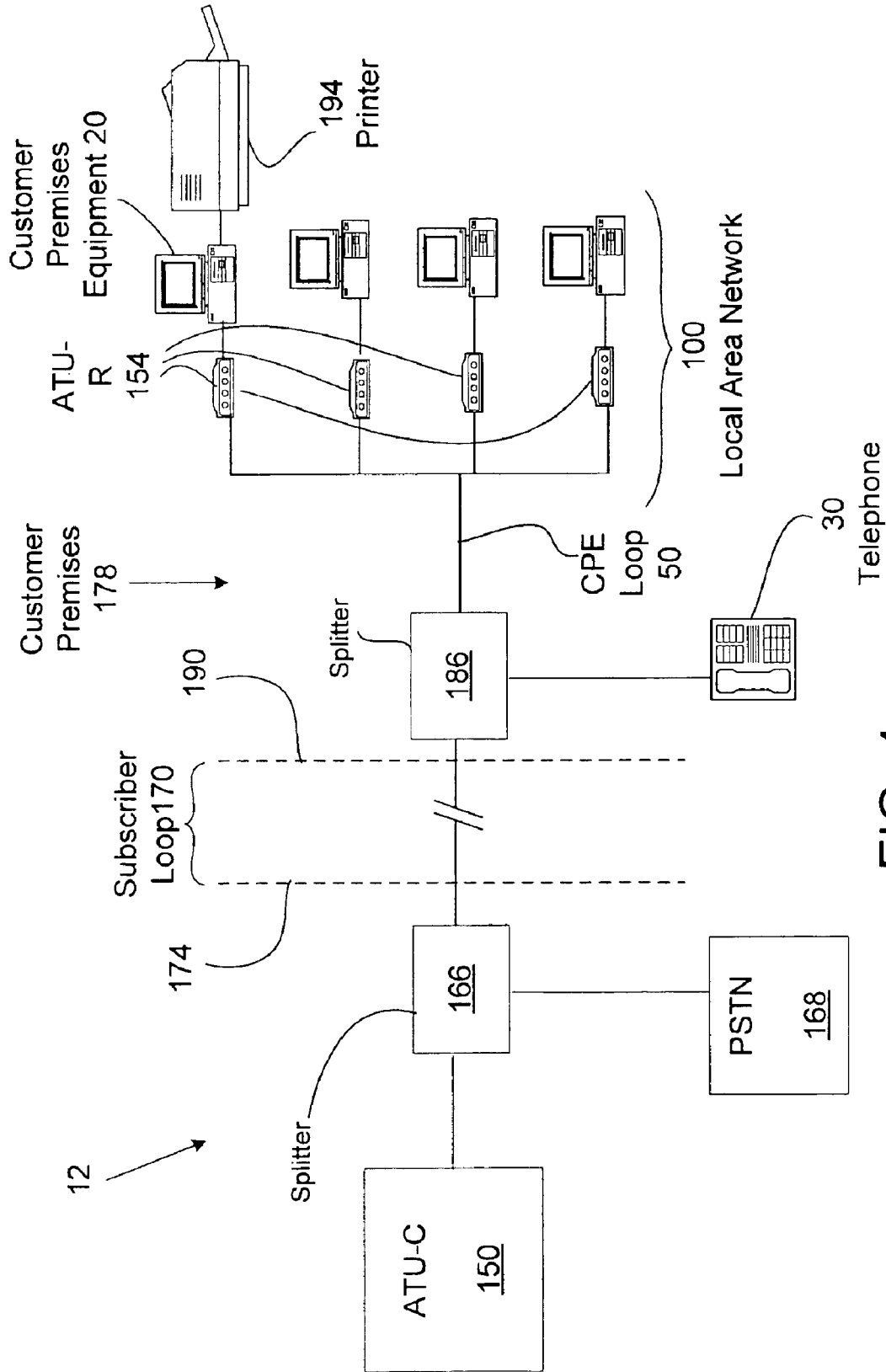


FIG. 4

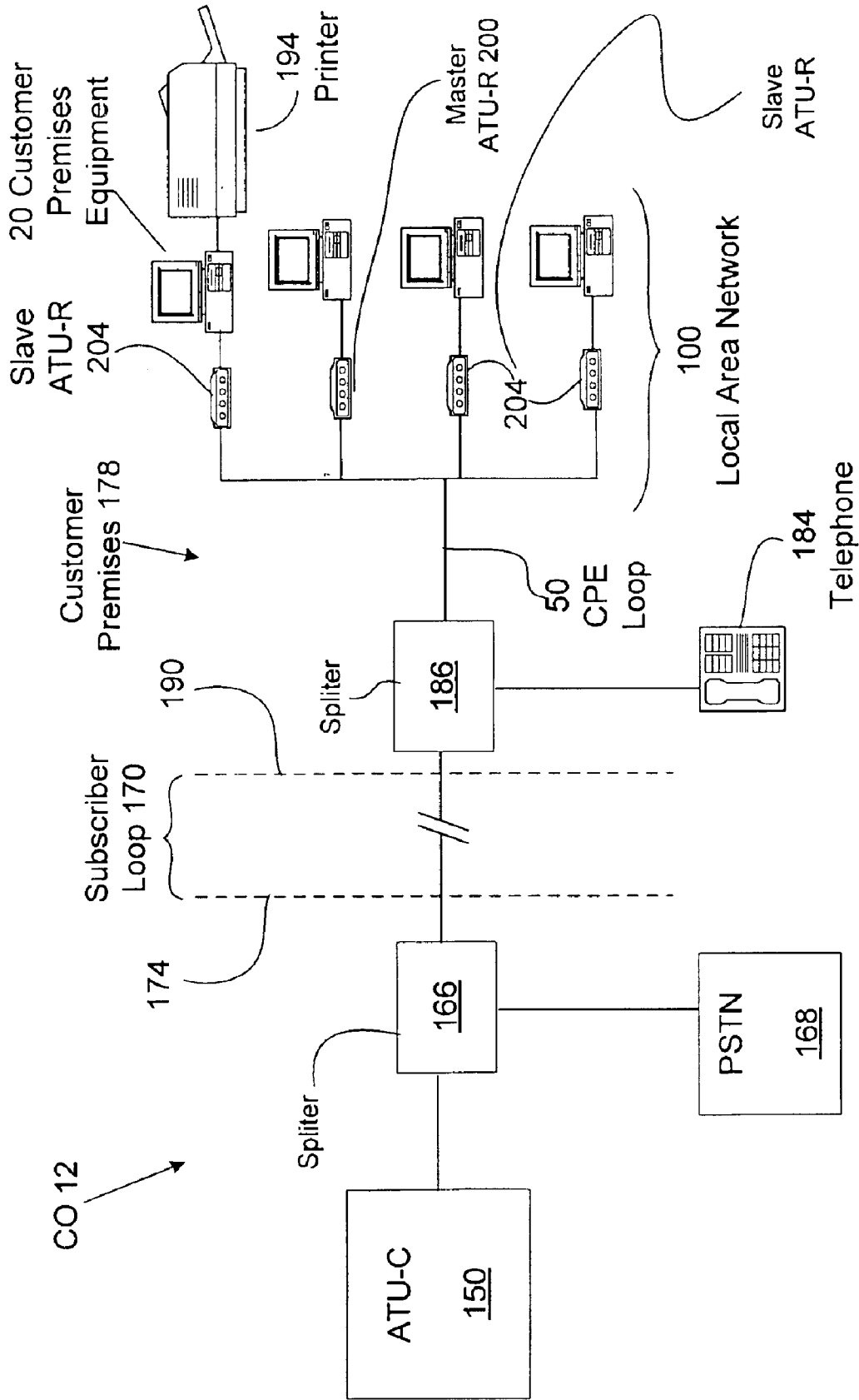


FIG. 5

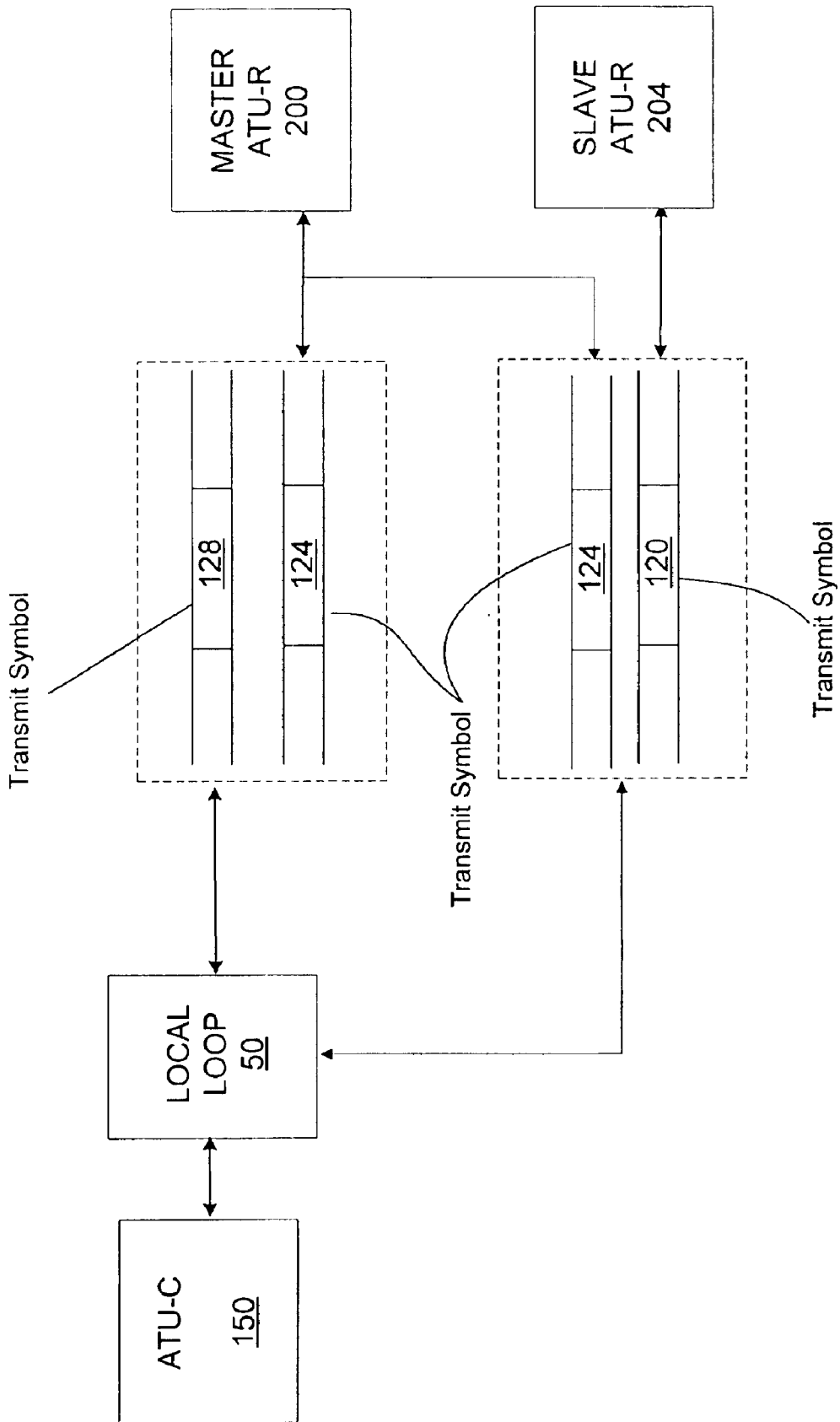


FIG. 6

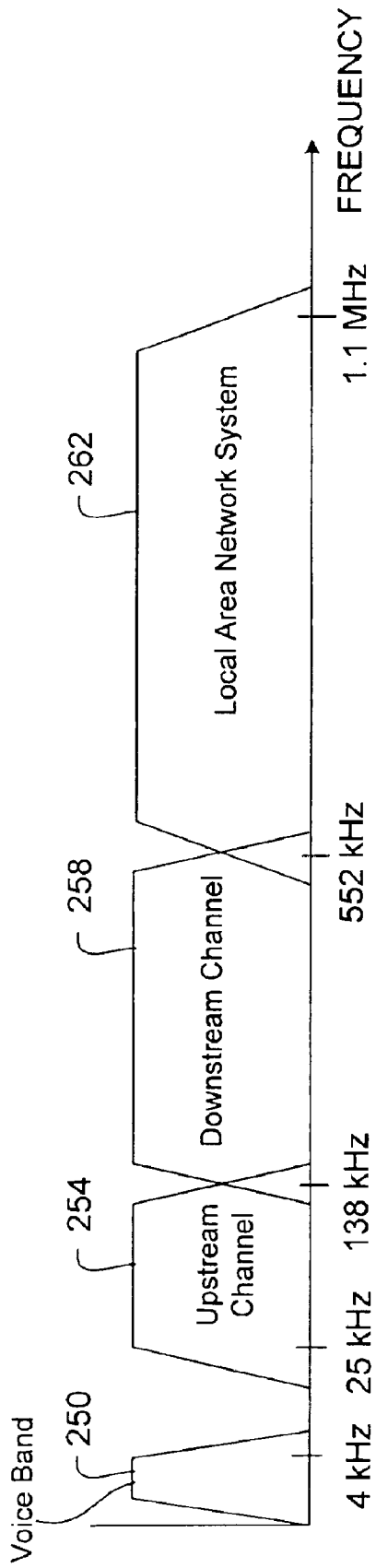


FIG. 7

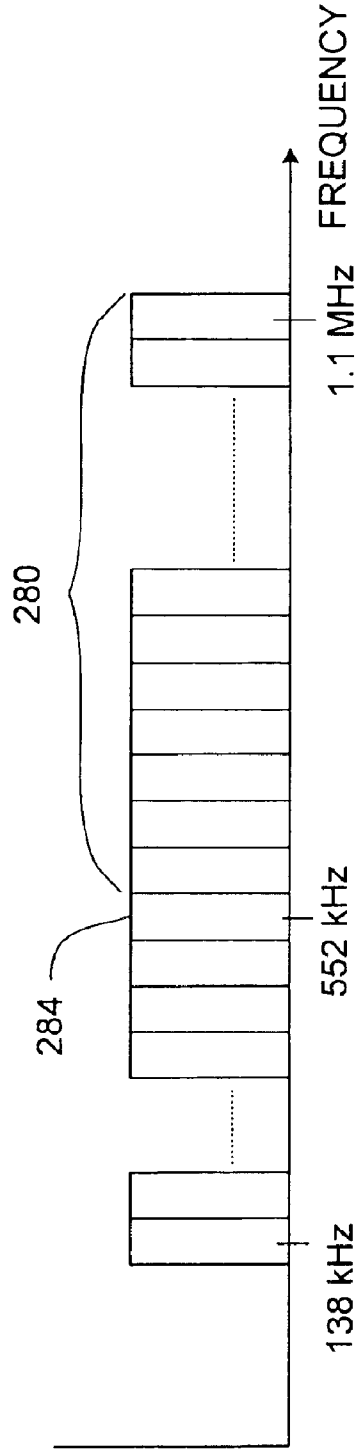


FIG. 8

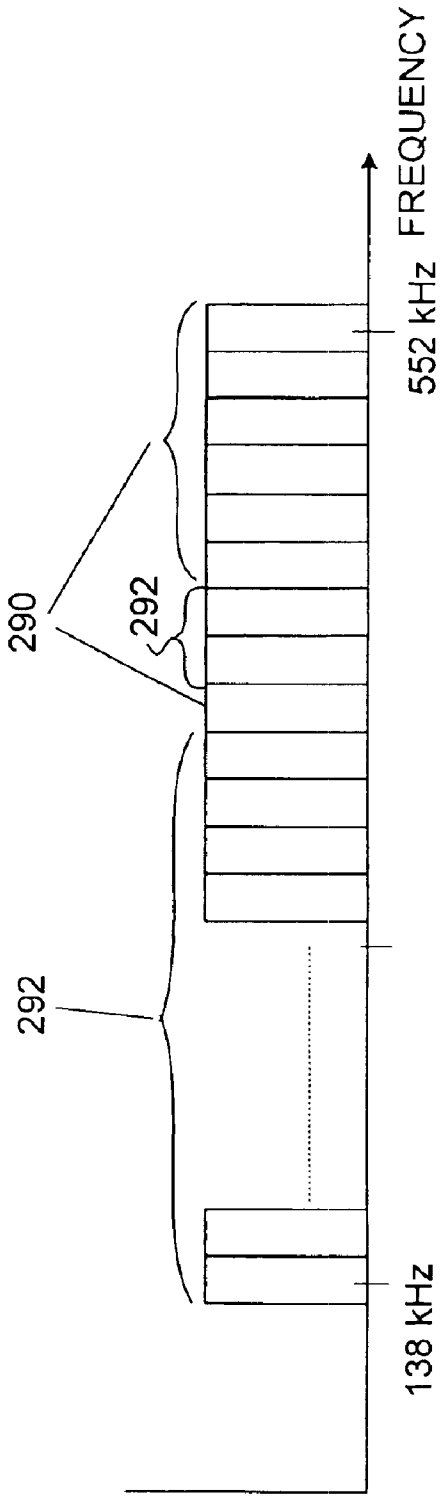


FIG. 9

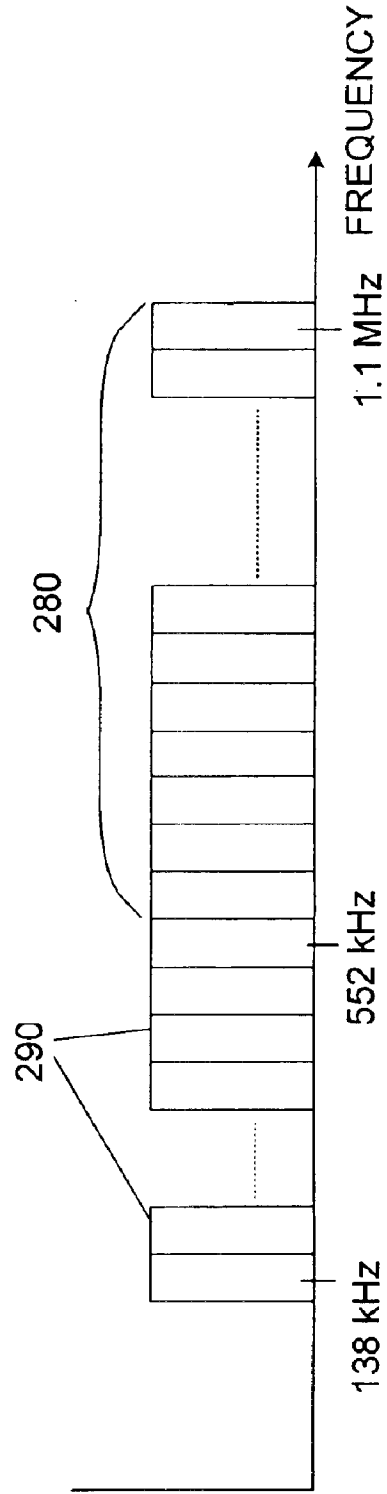


FIG. 10

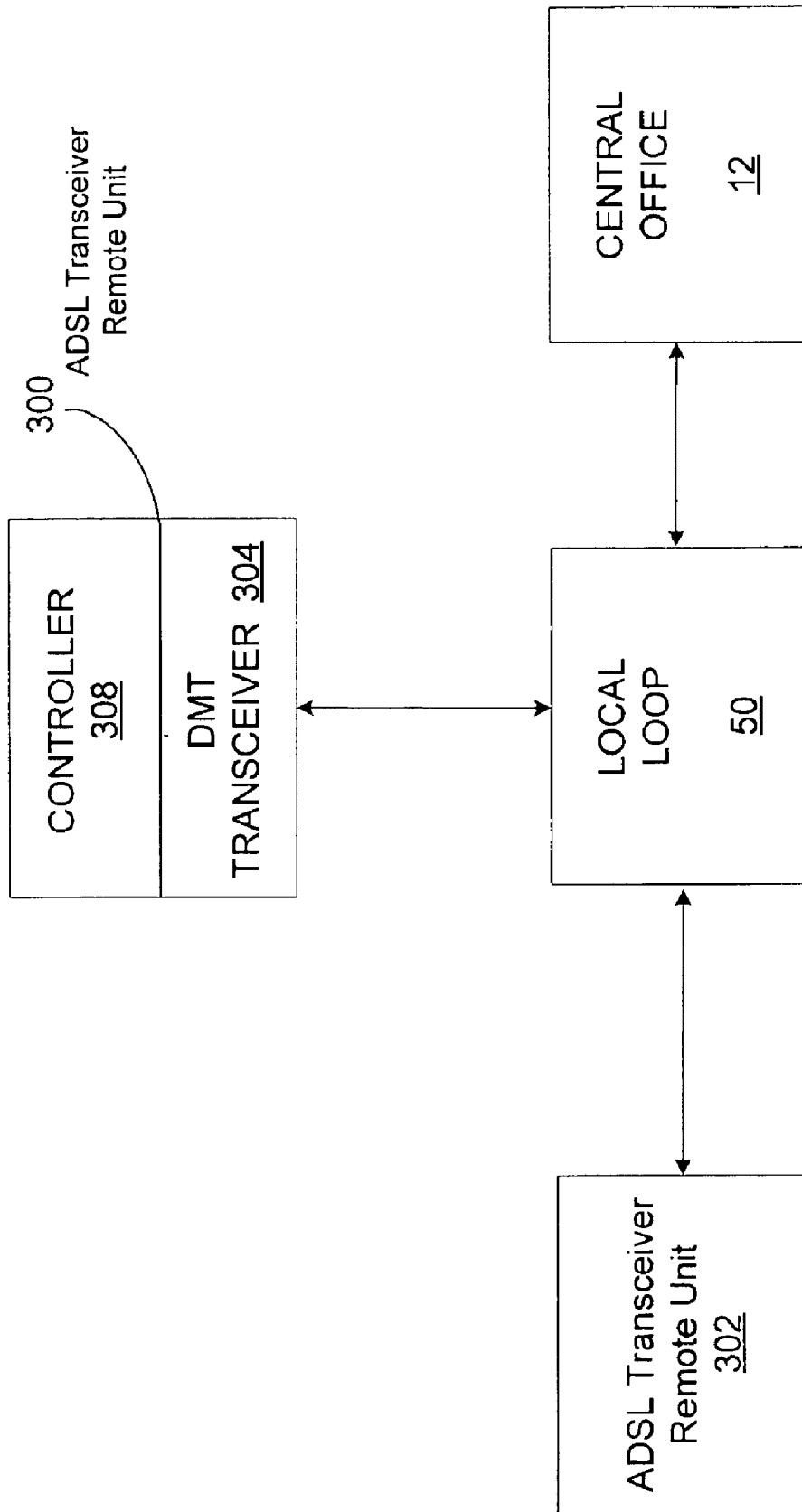


FIG. 11

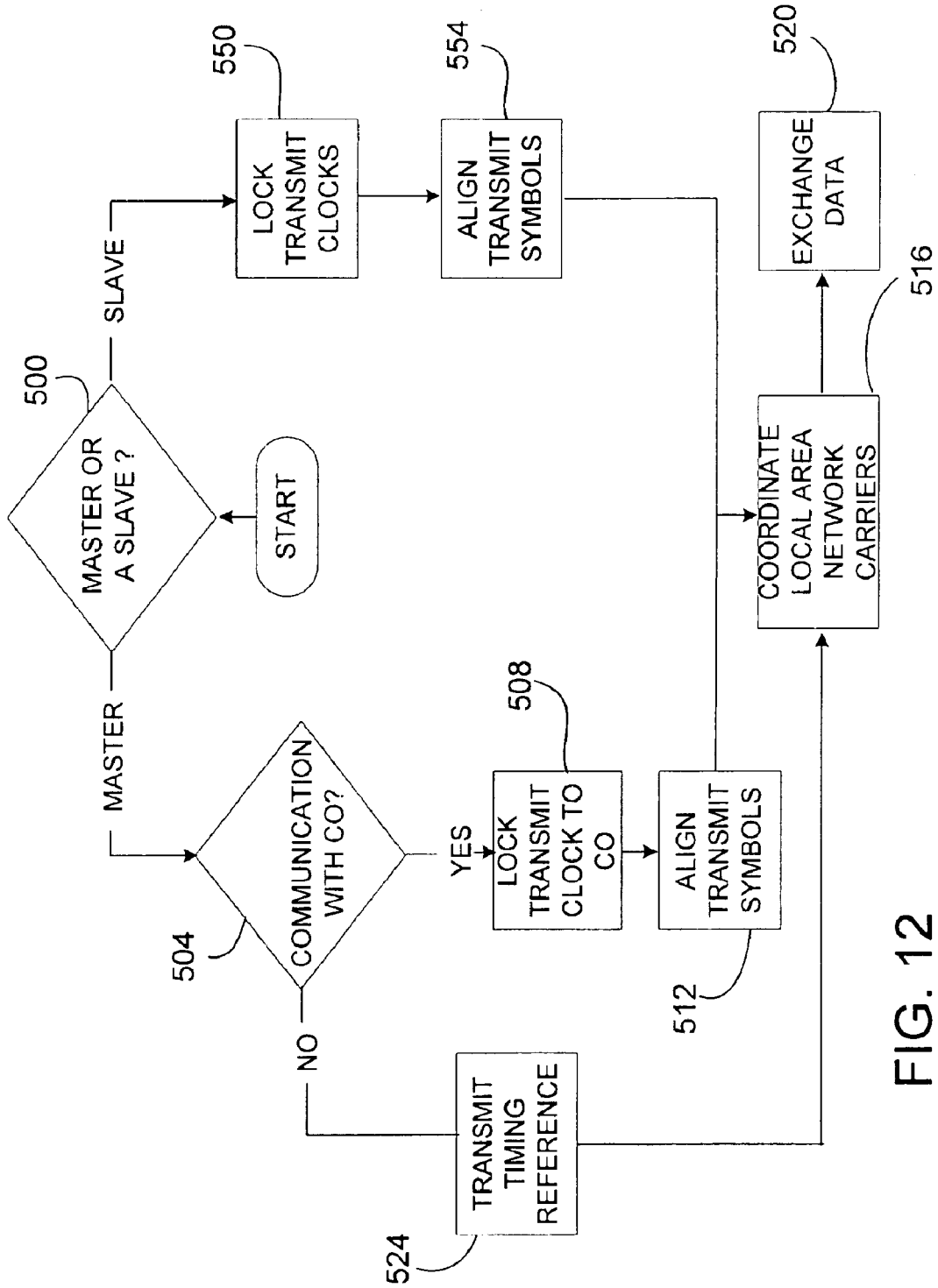


FIG. 12

SYSTEM AND METHOD FOR PROVIDING A LOCAL AREA NETWORK UTILIZING REMOTE TRANSCEIVERS

CROSS-REFERENCE TO RELATED APPLICATION

This is a continuation in part of the patent application of A. Joseph Mueller, et al., Ser. No. 09/472,383 filed Dec. 23, 1999, now abandoned, entitled *Home Networking Using Existing DSL Equipment*, pending, the contents of which are incorporated by reference herein.

FIELD OF INVENTION

The present invention relates generally to the field of telecommunications and more particularly to a system and method for providing a local area network spectrally adjacent to a wide area network utilizing remote discrete multitone (DMT) transceivers.

DESCRIPTION OF RELATED ART

In telephone and digital communication systems, plain old telephone service ("POTS") has typically has been provided from a telephone company service provider's central office ("CO") located generally in the area where the subscriber resides. To carry POTS from the CO to the subscriber's location, often referred to as the customer premises, the customer premises and the CO are typically connected via a subscriber or local loop, generally a pair of ordinary copper wires.

Today, modern communication systems can provide higher speed data communications over the same copper wires that traditionally only carried POTS service. Digital Subscriber Line ("DSL") communication systems can provide homes and small businesses high-speed communication access to the Internet and other networks using copper telephone lines. The CO is typically equipped with a CO DSL modem that provides broadband DSL services such as high-speed Internet access, audio, and video services. To receive DSL services from the CO, the customer premises typically includes a DSL modem or more generally a remote transceiver ("RT") to terminate a communication link with a CO DSL modem providing high-speed communication services.

The DSL modem pair (i.e., the RT and CO DSL modems) transfers data to and from the CO preferably using communication standards set out by the American National Standards Institute ("ANSI") such as Standard T1.413, the contents of which are incorporated by reference. ANSI T1.413 specifies a standard for ADSL that is widely followed in the telecommunications industry. The RT DSL modem in connection with a DSL modem at the CO may receive data at rates up to 6.144 Mbps for asymmetric DSL ("ADSL") and even higher data rates for other DSL variants to provide continuous transmission of high bandwidth video and audio data. Because of a DSL communication system's high data rate capability and its ability to operate over ordinary copper telephone lines, DSL installations are expected to greatly increase in homes and small businesses.

A drawback of DSL, however, is that the DSL connection is typically limited to point-to-point communications between a single RT DSL modem and the CO DSL modem. Typically DSL only provides a high-speed point-to-point connection between the central office and the RT and not simultaneously with other RT DSL modems that may be operating within the same customer premises. DSL does not

typically provide a multipoint service, where numerous devices share the same physical medium. As a result, it may not be possible for multiple RT modems to simultaneously share the communications link to external wide area networks, such as the Internet. Furthermore, it may not be possible for multiple RT modems to communicate between themselves within a customer premises such as in a local area network.

Thus, there is a need to provide external broadband DSL access and local area networking capabilities when DSL RT modems utilizing DMT technology coexist within a customer premises.

SUMMARY OF THE INVENTION

Described is a system and method for providing local area network capability for multiple remote transceivers located within a customer premises such as multiple RT DSL modems located within a business or household. The local area network preferably provides the interconnection of remote transceivers to communicate with other remote transceivers over the local area network utilizing DMT technology.

Preferably, external digital subscriber loop broadband access is also maintained for the customer premises devices. The local area network may operate in union with a central office offering the local area network external digital subscriber loop service or may operate without a central office.

In accordance with the present embodiments, a system for providing a local area network compatible with external, digital subscriber loop service generally includes a first DMT transceiver, a second DMT transceiver, and a set of carriers. The first and second DMT transceivers are in communication with each other utilizing a set of carriers. The set of carriers utilized in communication is determined between the first and the second DMT transceiver. The first and the second DMT transceiver may be capable of communicating with a central office thus bringing external digital subscriber loop service to the local area network.

In accordance to another aspect of the present embodiments, a system for providing a local area network compatible with external digital subscriber loop service generally includes a master DMT transceiver capable of providing a local area network timing reference, a slave DMT transceiver in communication with the master DMT transceiver for local area network communications, and a set of DMT carriers providing the local area network communication link between the master DMT and the slave DMT transceivers. The master and slave DMT transceivers preferably coordinate the set of carriers used for local area network communication.

According to another aspect of the present embodiments, the master DMT transceiver may be adapted for broadcasting a timing reference to provide slave DMT transceivers in the local area network a suitable timing reference. The connected slave DMT transceivers may utilize the local area network timing reference, derived from the master DMT transceiver or from the CO DSL modem, to reduce inter-carrier interference and inter-symbol interference between the local area network communications link and the external link to the central office by adjusting the receive and transmit sampling clocks.

In accordance with another aspect of the present embodiments, a method for communicating with other DMT transceivers includes the steps of determining a DMT transceiver master/slave configuration, determining central office availability of DMT DSL service, locking DMT sample clocks, and aligning DMT transmit symbol boundaries.

In a preferred embodiment, the local area network is in communication with a switching office such as a telephone company central office. In another preferred embodiment, the local area network is not in communication with a switching office.

A system and method for providing a customer premises local area network, offering connection compatibility with a central office preferably providing external digital subscriber loop service, interconnects modems residing within the customer premises. The local area network system may be used to provide access to the external point-to-point DSL connection and/or for file transfer, printer sharing, multiple-player interactive games, digital voice, and other digital applications within the customer premises. The system and method offers connection compatibility between the customer premises local area network and an external broadband service.

The foregoing and other features and advantages of a preferred embodiment of the present invention will be more readily apparent from the following detailed description. The detailed description proceeds with references to the accompanying drawings.

BRIEF DESCRIPTION OF THE DRAWINGS

Preferred embodiments of the present inventions are described with reference to the following drawings, wherein:

FIG. 1 is a diagram illustrating an exemplary local area network utilizing an embodiment of the present invention;

FIG. 2 is a diagram illustrating another exemplary local area network utilizing an embodiment of the present invention;

FIGS. 3A and 3B are diagrams illustrating exemplary alignment of transmit symbols in accordance with a presently preferred embodiment;

FIG. 4 is a diagram illustrating a presently preferred embodiment of a local area network system utilizing DMT transceivers;

FIG. 5 is a diagram illustrating a presently preferred embodiment of a local area network utilizing a master and a slave DMT transceiver;

FIG. 6 is diagram illustrating an exemplary alignment of transmit symbols in accordance with a presently preferred embodiment;

FIG. 7 is a diagram illustrating a frequency spectrum utilized in an exemplary embodiment of a local area network system;

FIG. 8 is a diagram illustrating a set of carriers utilized in an exemplary embodiment of a local area network system;

FIG. 9 is a diagram illustrating a set of carriers utilized in another exemplary embodiment of a local area network system;

FIG. 10 is a diagram illustrating a third carrier utilization in another exemplary embodiment of a local area network system;

FIG. 11 is a diagram illustrating a DMT transceiver remote unit of the present invention; and

FIG. 12 is a flowchart illustrating an exemplary method utilized by a remote DMT transceiver.

DETAILED DESCRIPTION OF AN EXEMPLARY EMBODIMENT

Referring to FIG. 1, shown is a diagram illustrating a local area network ("LAN") 8 in accordance with a presently

preferred embodiment utilizing discrete multitone transceivers ("DMT transceivers") that may be in communication with a switching office including a central office ("CO") 12. The LAN 8 is made up of a first discrete multitone transceiver ("first DMT") 10 and a second discrete multitone transceiver ("second DMT") 14 both of which may be capable of communicating with the CO 12 and in-premises wiring ("local CPE loop") 50. The LAN 8 may be used to provide access to the external point-to-point DSL connection and/or for file transfer, printer sharing, multiple player interactive games, digital voice, and other digital applications with the customer premises.

ANSI has selected discrete multitone ("DMT") as the standardized line coding method providing a powerful and flexible transmission method. A similar standard, by the International Telecommunication Union ("ITU-T"), standard G.992.1, otherwise known as G.dmt, is also incorporated herein by reference, and provides an adjustable data rate from 32 kbps to 6.144 Mbps downstream and from 32 kbps to 640 kbps upstream. ANSI T1.413 and ITU-T G.992.1 typically require the service provider to install a signal splitter at the customer premises. Another DMT-based standard, ITU-T G.992.2, or G.Lite, specifies a splitterless ADSL standard, targeted for consumer installation and provides an adjustable data rate from 64 kbps to 1.544 Mbps downstream and from 32 kbps to 512 kbps upstream. G.Lite may become the most widely installed form of ADSL since it accommodates plain old telephone service ("POTS") without the use of a signal splitter installed at the customer premises. The contents of ITU-T G.992.2 are incorporated herein by reference.

Additional customer premises equipment ("CPE") 20 such as digital computing devices are connected to the first DMT 10 and the second DMT 14. The CPE 20 may be a personal computer or other computer peripherals such as storage devices, printers, TVs, Internet appliances etc. that digitally interface with DMT transceivers 10, 14. The first 10 and second 14 are shown connected to a wall socket 28 or plain old telephone service ("POTS") outlet providing a RJ-11 jack or similar interface connection to the local CPE loop 50. The local CPE loop 50 is connected to the subscriber loop 22 at the network interface device ("NID") 32 which provides the communications medium between the customer premises communications equipment 10, 14, 30 and the communications equipment at the central office 12. The NID 32 may also include a splitter (not shown) to provide isolation and separate voice frequencies from data frequencies. A splitter is not required for recommendation G.Lite thus allowing a splitterless connection between the customer premises equipment 10, 14, 30 and the CO 12. Although separate from the LAN 8, a telephone 30 is connected to the local CPE loop 50 to illustrate POTS service may be utilized in accordance with a preferred embodiment.

A set of DMT carriers provides a communication link between the first DMT transceiver 10 and the second DMT transceiver 14. The local CPE loop 50, commonly constructed of ordinary copper telephone wire, is capable of transmitting a multi-carrier signal and consequently a set of DMT carriers. The first DMT transceiver 10 and the second DMT transceiver 14 are typically connected through POTS outlets 28 to provide a connection to the local CPE loop 50. The local CPE loop 50 functions as a common communication access medium, which may interconnect other DMT transceivers (a third, fourth etc. DMT transceiver) and also connect the first and the second DMT transceivers 10, 14 with the CO 12. It should be understood that any system

employing DMT technology may be utilized regardless of communication access medium.

In an exemplary embodiment, the first DMT transceiver **10** and the second DMT transceiver **14** coordinate a set of DMT carriers utilized for data transmission between the first DMT transceiver **10** and the second DMT transceiver **14**. For example, the first DMT transceiver **10** and the second DMT transceiver **14** may coordinate the usage of the frequency spectrum transmitted over the local CPE loop **50** by dividing the frequency spectrum into N discrete subchannels. The center frequency of each subchannel corresponds to the frequency of a carrier. For example, the DMT standard for ADSL, ANSI T1.413, specifies **256** carriers, each with a 4.3125 kHz bandwidth and a center frequency equal to $i \cdot 4.3125$ kHz where i is the carrier number and ranges from $i=1$ to 256. According to the preferred embodiment, the first DMT transceiver **10** and the second DMT transceiver **14** coordinate a subset of those **256** carriers, each preferably 4.3125 kHz wide, such that the set of carriers provides a communication link between the first DMT transceiver **10** and the second DMT transceiver **14**. Data may then be modulated onto each carrier of the set of carriers providing a communication link between the first DMT transceiver **10** and the second DMT transceiver **14**.

Additionally, more than one DMT transceiver may be connected to the local CPE loop and may communicate with the other DMT transceivers on the local area network and with the CO. Furthermore, the first and/or the second DMT transceiver may designate one of the DMT transceivers as a master DMT transceiver and the other DMT transceiver as a slave DMT transceiver. The master DMT transceiver may then broadcast a timing reference to the slave DMT transceiver if a CO is not available or not utilized.

An exemplary local area network **100** shown in FIG. 2 includes a DMT transceiver designated as a master DMT transceiver **36** and two DMT transceivers designated as slave DMT transceivers **104**. The designation of a master DMT transceiver **36** and a slave DMT transceiver **104** is arbitrary and may include designating any DMT transceiver to be a master DMT transceiver **36**. The slave DMT transceiver **104** and/or the master DMT transceiver **36** may be connected with any device compatible with DMT transceivers, however, for the purposes of illustration a slave **104** is in communication with a personal computer **24** connected to a printer device **108**. In this instance, the master **36** and slave **104** may share the printer **108** to print computer files. Coordination of a set of carriers may occur between the slaves **104** and the master **10**. For example, slaves **104**, configured as DMT transceivers, may transmit and receive data on carriers **128** through **255**, and the master **36**, configured as the master DMT transceiver, may transmit and receive data with the slaves **104** on carriers **128** through **255**. Any one of the DMT transceivers connected to the local CPE loop, may transmit data to and receive data from the CO **12** on the rest of the carriers **1** through **127**.

Other exemplary methods to coordinate the set of carriers amongst the slaves **104** and the master **36** may be used such as dividing the bandwidth of the subscriber loop, of which the local CPE loop **50** is a part, into different channels such that there is a downstream channel (e.g. the downstream channel may be used to transport data from the master **36** to the slaves **14**, **104**) and a separate upstream channel (e.g. the upstream channel may be used to transport data from the slaves **14**, **104** to the master **36**). Thus, there may be four distinct channels: DSL upstream and downstream (channels commonly used in standard DSL communication with the CO **12**) and a LAN stream A and stream B (e.g., each LAN

stream may correspond to the transmit and receive channel between any two slaves and/or master at the customer premises). If an external DSL service is not available or is not active, the LAN may extend its channels into the frequency band otherwise occupied by the external DSL service. The separation of the two DSL channels from the two LAN channels may be accomplished by methods known in the art such as through frequency division, echo cancellation, or a combination of both frequency division and echo cancellation. The separation of two LAN streams from each other may be accomplished by methods known in the art such as through frequency division, time division, echo cancellation or some combination of both frequency division and echo cancellation. It is also possible that the master **36** may determine the set of carriers without assistance from the slaves **104**. A telephone **30** is shown in connection to the local CPE loop **50** illustrating that POTS service may be utilized in conjunction with the preferred embodiment.

To maintain an orthogonal local area network system **100** not presently connected to or utilizing a CO **12** DSL connection, the master **36** preferably generates and broadcasts a timing reference thus providing a local area network timing reference. The slaves **104** may use the local area network timing reference to lock their respective transmit and receive sampling clocks to the master **36** transmit clock. The local area network timing reference may be broadcast onto the local area network **100** by traditional methods such as by the use of a dedicated pilot tone embedded in the master's **36** transmitted DMT signal. A dedicated pilot tone would then occupy one of the carriers of the set of carriers used in communication between a master **36** and a slave **104**. Alternatively the master might transmit pilot on bin number **64**, as used in typical ADSL systems, so that the slaves may always look at the same carrier regardless of the presence of the CO **12**. Other timing recovery methods may use data-aided synchronizers using a receiver's decisions or a training sequence in computing the timing estimate thus eliminating the need for a dedicated pilot tone.

Additionally, the symbol boundaries of transmitted DMT symbols are preferably phase aligned to promote orthogonality. Referring to FIG. 3A, the slave **104** preferably aligns its transmit symbol **120** with a transmit symbol **124** received from the master **36**. Referring now to FIG. 3B, the local area network is utilizing timing from a CO **12**, then the master **36** preferably aligns its respective transmit symbol **124** with a received transmit symbol **128** from the CO **12**, and the slave **104** preferably aligns its respective transmit symbol **120** with a received transmit symbol **124** from the master **36**. Clearly the same result is obtained if the slave **104** aligns its transmit symbol **120** with a received symbol **128** from the CO **12**. Thus, the transmit symbol **120** of the slave **104**, the transmit symbol **124** of the master **124**, and the transmit symbol **128** of the CO **12** are preferably aligned to reduce intersymbol interference. The slave **104** and master **36** may utilize conventional methods to align their respective transmit symbols **120**, **124** to the transmit symbols **128** of the CO **12** such as by the use of a correlator that may detect and align symbol boundaries. The ADSL standards facilitate such symbol alignment although symbol alignment is not mandated.

Additionally, in order to maintain compatibility with the spectral masks defined for external DSL services it may be necessary to transmit signals from the slave DMT transceivers **104** at a power that is of a similar density to that of the signal received from the CO **12**. This also provides an additional benefit to the master **36** since it will receive

signals from the slave DMT transceivers **104** and the CO **12** at the same power density.

In an exemplary embodiment, the DMT transceivers connected to the local CPE loop are G.Lite compliant ADSL modems. It should be understood, however, that a variety of other DSL devices may be utilized. In a typical ADSL network, a DMT RT transceiver functions as an Asymmetric Digital Subscriber Line Transceiver Unit-Remote (“ATU-R”) and typically communicates with an Asymmetric Digital Subscriber Line Transceiver Unit-Central Office (“ATU-C”) at the CO.

Referring to FIG. 4, shown is a diagram illustrating an ATU-C **150** in communication with one of a plurality of ATU-Rs **154**. Each ATU-R **154** may be used to connect computers **20**, computer peripherals, TV’s, audio equipment, less intelligent devices (appliances, thermostats, etc.) to devices and networks inside and often times outside the customer premises (e.g. the Internet). For instance, an ATU-R **154** is connected to a computer **20** and the computer **20** is connected to a printer **194**.

The ATU-C **150** located at the CO **12** typically is connected to a splitter **166**. The splitter **166** allows a twisted pair telephone line, referred to as the subscriber loop **170** to be used for simultaneous high-speed DSL data transmission and single line telephone service. Typically, the splitter **166** separates the high frequency signals used for DSL from the low frequency signals commonly used in connection with the Public Switched Telephone Network (“PSTN”) **168**. The splitter **166** at the CO **12** is connected to the subscriber loop **170**, through an interface (“U-C”) **174**.

ATU-Rs **154** located at the customer premises **178** are preferably connected to one another by a twisted pair phone line, referred to as the local CPE loop **50**, thus forming a local area network **100**. The customer premises **178** may also include a splitter **186** to isolate the DSL frequencies and equipment from the POTS frequencies and equipment on the local CPE loop **50** such that greater DSL performance and less POTS degradation may be achieved. The subscriber loop **170** is connected to the local CPE loop **50** via the optional splitter **186** at the customer premises **178**, through an interface (“U-R”) **190**. The ATU-Rs **154** at the customer premises **178** may transmit and receive DSL data over the local CPE loop **50** to and from the CO **12**. Note that the splitter **186** at the customer premises **178** is not required if recommendation G.Lite is utilized. According to recommendation G.Lite, the installation of splitter **186** is optional.

FIG. 5 is a diagram illustrating a preferred embodiment of a local area network **100** having one of a plurality of ATU-R’s **200**, **204** designated as a master ATU-R **200** and the remaining ATU-Rs designated as slave ATU-Rs **204**. The master ATU-R **200** is capable of acquiring sample timing and symbol synchronization from the ATU-C **150** at the CO **12** over the conventional subscriber loop **170**. The master ATU-R **200** preferably derives its timing from the ATU-C **150** and consequently transmits a local area network reference timing signal from which the remaining slave ATU-Rs **204** may acquire sample timing and symbol synchronization. Acquiring sample timing, for instance, may consist of the slaving of the sample rate of a digital to analog converter (“DAC”) at the master ATU-R **200** to the sample rate of a digital to analog converter (“DAC”) at the CO **12**, thus tying together the sampling frequencies of the DAC of the ATU-C **150** at the CO **12** and the DAC of the master ATU-R **200** at the customer premises **178**. Sample clock frequencies utilized by the master ATU-R **200** may be locked to the sampling frequency of the ATU-C **150** by utilizing methods

known in the art such as a dedicated pilot tone as specified in ANSI Standard T1.413. Alternatively, all ATU-Rs **200**, **204** may acquire sample timing and symbol synchronization individually from the ATU-C **150** directly, obviating the need for a master.

FIG. 6 is a diagram illustrating an exemplary embodiment of the master ATU-R **200** and slave ATU-R **204** preferably locking the sampling frequencies and aligning transmit symbol boundaries with the ATU-C **150**. The transmit symbol **124** of the master ATU-R **200** is preferably aligned with the transmit symbol **128** of the ATU-C **150** and the transmit symbol **120** of the slave ATU-R **204** is preferably aligned with the transmit symbol **124** of the master ATU-R **200** broadcast onto the local CPE loop **50**, where the slave transmit symbol **120** is sent out onto the local CPE loop **50**. The same result is obtained if the slave ATU-R **204** aligns its transmit symbol **120** with the transmit symbol **128** from the ATU-C **150**. Thus, the transmit symbol **120** of the slave ATU-R **204**, the transmit symbol **124** of the master ATU-R **200**, and the transmit symbol **128** of the ATU-C **150** are preferably aligned. Symbol alignment may occur by utilizing present methods known in the art such as by use of a correlator to determine symbol boundaries. The local area network system preferably preserves orthogonality to provide minimal interference between the DSL service offered by the ATU-C **150** and the local area networking service.

Referring again to FIG. 5, the slave ATU-Rs **204** may communicate to other slave ATU-Rs **204** and/or with the master ATU-R **200**. If the local CPE loop **50** is not connected to a CO **12** or the CO **12** does not have or is not utilizing an ATU-C **150**, the slave ATU-R’s **204** derive timing from the master ATU-R **200** and consequently transmit in a looped timing mode. However, if an ATU-C **150** at the CO **12** is present and transmitting, the master ATU-R **200** preferably derives timing directly from the ATU-C **150** such as by receiving a dedicated pilot tone and the slave ATU-R’s **204** also derive timing from the ATU-C **150** and consequently transmit in a looped timing mode. A similar result can be obtained if the slave ATU-Rs **204** derive timing from the master ATU-R **200**. The slave ATU-Rs **204** preferably align transmit local area networking DMT symbols with the master ATU-R **200** local area networking DMT symbols so as to maximize orthogonality. Therefore the slave ATU-Rs **204** may communicate with each other or with the master ATU-R **200** and the slave ATU-Rs **204** may communicate with the ATU-C **150** at the CO **12** via the master ATU-R **200**. It may also be possible for the slave ATU-R **204** to perform loop timing and align its transmit symbols with the transmit symbols of the ATU-C **150** such as performed, preferably in the same fashion, as the master ATU-R **200**.

In an exemplary embodiment according to another aspect of the invention, a slave ATU-R may communicate with a master ATU-R using local area network carriers within a frequency spectrum immediately adjacent to the ADSL frequency spectrum providing a local area network communication link between the slave ADSL transceiver remote unit and the master ADSL transceiver remote unit. FIG. 7 is a diagram showing the frequency spectrum of orthogonal transmission utilized in a preferred embodiment. Plain old telephone service (“POTS”) band **250** or voice band typically operates below 4 kHz. The frequency band between approximately 25 kHz and 138 kHz is preferably designated as the upstream channel **254** typically used for transmission from the master ATU-R to the ATU-C. The frequency band between approximately 138 kHz and 552 kHz is preferably designated as the downstream channel **258** typically used for transmission from the ATU-C to the master ATU-R. The

frequency band **262** above 552 kHz is preferably designated for use in the local area network system. That is, the data transmission between the slave ATU-R's and between the slave ATU-R's and the master ATU-R preferably occurs using carriers having frequencies in the frequency band

above 552 kHz. It should be understood that the particular values of the frequency ranges are merely exemplary and many other frequency ranges may be utilized. Furthermore, these frequency ranges may be overlapped or may be partitioned into multiple ranges and possibly interleaved. It should also be understood that the benefits of orthogonality hold even if the local area frequencies are not immediately adjacent to the DSL frequencies.

The local area network system may utilize the frequency spectrum, such as shown in FIG. 7 having carriers illustrated in FIG. 8 immediately adjacent to the ADSL frequency spectrum preferably without the use of a guardband between the ADSL frequency spectrum (**254, 258** in FIG. 7) and the home network frequency spectrum (**262** in FIG. 7) since the local area network maintains carrier orthogonality by aligning DMT symbol boundaries. Thus the local area network carriers **280** having frequencies immediately adjacent to the 552 kHz carrier **284** used in standard ADSL communication for example does not cause interference.

The local area network frequency band **262** above 552 kHz may be divided into subbands. The subbands may be allocated dynamically (e.g. during initialization between the master ATU-R and the slave ATU-R's) or statically (e.g. pre-determined subbands such as upstream/downstream channels) to provide communications between ATU-R devices. To divide up the band into subbands or subchannels, methods that are known in the art such as given in ANSI Standard T1.413 or ITU Standard G.Lite may be used.

Referring to FIG. 9, in a second exemplary embodiment, the slave ATU-R's communicate with one another or the master ATU-R using one or more of the carriers not used for data communication between the master ATU-R and the ATU-C. For instance, the actual number of carriers employed to modulate data between the master ATU-R and the ATU-C may be less than the maximum number of carriers allowed. The number of unused or idle carriers may be determined in the initialization between the master ATU-R and the ATU-C such as performed by a channel analysis as known in the art. Any of the unused carriers, typically having a frequency spacing of 4.3125 kHz in this example may then be used for data communication between the ATU-R's.

In the exemplary embodiment, the local area network system may utilize the available carriers **290** immediately adjacent to the ADSL carriers **292** since the local area network maintains carrier orthogonality. The carriers **290** utilized in the local area network for communication between two ATU-Rs for example do not interfere with the carriers **292** used in ADSL communication between the master ATU-R and the ATU-C. However, if the carriers **290** exit an idle mode such that the ADSL system employs those carriers, the local area networking system preferably resynchronizes the carriers utilized in the local area network for communication between the master ATU-R and the slave ATU-R or between two slave ATU-Rs.

FIG. 10 illustrates a third exemplary embodiment such that the slave ATU-R's may utilize communication with the master ATU-R or other slave ATU-Rs using both unused carriers **290** (i.e. carriers not used in communication between the master ATU-R and the ATU-C) and/or additional carriers **280** having a center frequency above 552 kHz.

Referring to FIG. 11, shown is an ADSL transceiver remote unit **300** for communicating with other ADSL transceiver remote units **302** connected to a local CPE loop **50** and connected with a central office **12**. The ADSL transceiver remote unit **300** includes a DMT transceiver **304** capable of communicating with the CO **12** and with at least one other ADSL transceiver remote unit **302** and a controller **308**. The DMT transceiver **304** generates and receives a time domain signal having a plurality of carriers. The controller **308** utilizing a protocol stack in connection with the DMT transceiver **304** allocates the local area network carrier frequencies utilized in communication with other ADSL transceiver remote units **302** connected to the local CPE loop **50**.

The local area network carrier frequencies designated by the controller **308** may consist of frequencies immediately adjacent to carrier frequencies employed for ADSL communications. That is, during initialization between the ADSL transceiver remote unit **300** and the CO **12**, certain carriers may be unused depending on channel characteristics, noise characteristics, etc. These unused channels may be designated by the controller for use by the communication link between the ADSL transceiver remote unit **300** and other ADSL transceiver remote units **302** connected to the local CPE loop **50**. The controller **308** may utilize idle or unused channels since the ADSL transceiver remote unit **304** preferably provides orthogonal transmission by aligning ADSL transceiver remote unit **304** sample clocks with the ATU-C transmit clock at the CO **12** and by aligning its transmit symbols with the transmit symbols received from the ATU-C at the CO **12**.

The local area network carrier frequencies designated by the controller **308** may consist of carriers having frequencies within a local area network frequency spectrum immediately adjacent to an ADSL frequency spectrum. That is, the controller **308** may designate carriers having frequencies above 552 kHz and preferably below 1.104 MHz, FIG. 7 shows the carriers **262** relative to the entire frequency spectrum. The carriers in this frequency spectrum may be utilized such that the local area network carriers will not interfere with the carriers used in the ADSL frequency spectrum. The controller **308** may utilize carriers immediately adjacent to the ADSL frequency spectrum since the ADSL transceiver remote unit provides orthogonal transmission by preferably aligning all ADSL transceiver remote unit sample clocks with the transmit clock of the ATU-C at the CO **12** and by aligning transmit symbols.

When the ATU-C at the CO **12** is not active or is unavailable, the DMT transceiver **304** provides a local area network timing reference for other ADSL transceiver remote units **302** connected to the local CPE loop **50**. The local area network timing reference is broadcast using traditional methods such as by a dedicated pilot tone as specified in ANSI Standard T1.413. Other local area network timing references that also include symbol boundary information may also be utilized.

The ADSL remote unit **300** is adaptable to operate as a master ADSL transceiver remote unit or a slave ADSL transceiver remote unit. Preferably during startup, the ADSL remotes **300, 302** preferably designate a master if a master has not already been predetermined such as by inherent design of the master or the master has been programmed to be a master.

FIG. 12 is a block diagram illustrating an exemplary method for communicating with other ADSL transceiver remote units while remaining compatible with ADSL service

to a central office. The exemplary method includes determining if an ADSL transceiver remote unit having a DMT transceiver is a master **500**, and if so, determining if there is communication with an ADSL central office unit **504**, and if so, locking the transmit sampling clock of the DMT transceiver in accordance with the transmit sampling clock of the central office **508**, aligning a first DMT transmit symbol of the DMT transceiver with a second DMT transmit symbol received from the central office **512** and coordinating a set of local area network carrier frequencies with the at least one other ADSL transceiver remote unit **516**. Whereupon exchange of data may occur over the local CPE loop **520**. Additionally, a method for communicating with other ADSL transceiver remote units while remaining compatible with ADSL service to a central office includes determining if an ADSL transceiver remote unit having a DMT transceiver is a master **500**, and if so, determining if there is communication with an ADSL central office unit **504**, and if not, transmitting a network timing reference providing a local area network timing reference for the at least one other ADSL transmission remote unit **524** and coordinating a set of local area network carrier frequencies with the at least one other ADSL transceiver remote unit **516**. Whereupon exchange of data may occur over the local CPE loop **520**. Additionally, a method for communicating with other ADSL transceiver remote units while remaining compatible with ADSL service to a central office includes determining if an ADSL transceiver remote unit having a DMT transceiver is a master **500**, and if not, locking the transmit sampling clock of the DMT transceiver in accordance with a local area network timing reference received from the master ADSL transceiver remote unit **550** or from the central office **512**, aligning a first DMT transmit symbol of the DMT transceiver with a second DMT transmit symbol received from the master ADSL transceiver remote unit **554** or from the central office **512** and coordinating a set of local area network carrier frequencies with the at least one other ADSL transceiver remote unit **516**. Whereupon exchange of data may occur over the local CPE loop **520**.

It should be understood that it is not necessary to designate a master DMT transceiver or a slave DMT transceiver. Designation of a master or a slave may occur, for instance, if a timing reference is needed in such cases if a CO is unavailable or not utilized. It should also be understood that a slave DMT transceiver may coordinate the described set carriers utilized in communication with other slave DMT transceivers and/or with the CO.

Thus the system and a method for providing a customer premises local area network compatible with external digital subscriber loop service may interconnect modems residing within the home or office to one another and with the CO. The local area network system provided herein may be used for sharing access to an external network, file transfer, printer sharing, multiple-player interactive games, digital voice, and other digital applications. The system and a method providing modems preferably utilizing DMT and exploiting DSL technology offers connection compatibility between the customer premises local area network and an external broadband service.

It should be understood that the programs, processes, methods and systems described herein are not related or limited to any particular type of computer or network system (hardware or software), unless indicated otherwise. Various types of general purpose or specialized computer systems may be used with or perform operations in accordance with the teachings described herein.

In view of the wide variety of embodiments to which the principles of the present invention can be applied, it should

be understood that the illustrated embodiments are exemplary only, and should not be taken as limiting the scope of the present invention. For example, the steps of the flow diagrams may be taken in sequences other than those described, and more or fewer elements may be used in the block diagrams. While various elements of the preferred embodiments have been described as being implemented in software, in other embodiments in hardware or firmware implementations may alternatively be used, and vice-versa.

The claims should not be read as limited to the described order or elements unless stated to that effect. Therefore, all embodiments that come within the scope and spirit of the following claims and equivalents thereto are claimed as the invention.

We claim:

1. A local area network system utilizing a plurality of discrete multitone (DMT) remote units in communication with a central office providing digital subscriber line service comprising:

- a DMT transceiver central office unit;
- a master DMT transceiver remote unit connected to a local area network, wherein the master DMT transceiver remote unit provides a local area network timing reference for at least one other DMT transceiver remote unit when the DMT transceiver central office unit is not available;
- a set of DMT carriers providing a DMT communication link between the DMT transceiver central office unit and the master DMT transceiver remote unit;
- a slave DMT transceiver remote unit connected to the local area network; and
- a set of local area network carriers providing a local area network communication link between the slave DMT transceiver remote unit and the master DMT transceiver remote unit using timing derived from the set of DMT carriers providing a communication link between the master DMT transceiver remote unit and the DMT transceiver central office unit when the DMT transceiver central unit is available.

2. The network in claim **1** wherein the set of local area network carriers providing the local area network communication link between the slave DMT transceiver remote unit and the master DMT transceiver remote unit are adjacent to the set of DMT carriers providing the DMT communication link between the DMT transceiver central office unit and the master DMT transceiver remote unit.

3. A local area network system utilizing a plurality of asymmetric digital subscriber line (ADSL) remote units in communication with a central office providing digital subscriber line service comprising:

- an ADSL transceiver central office unit;
- a master ADSL transceiver remote unit connected to a local area network;
- a plurality of ADSL carriers having frequencies within an ADSL frequency spectrum providing an ADSL communication link between the ADSL transceiver central office unit and the master ADSL transceiver remote unit;
- a slave ADSL transceiver remote unit connected to the local area network; and
- a set of local area network carriers providing a local area network communication link between the slave ADSL transceiver remote unit and the master ADSL transceiver remote unit using timing derived from the plurality of ADSL carriers providing a communication link

13

between the master ADSL transceiver remote unit and the ADSL transceiver central office unit, wherein the set of local area network carriers utilize a bin spacing equal to the bin spacing of the set of DMT carriers providing a DMT communication link between the DMT transceiver central office unit and the master DMT transceiver remote unit.

4. The network in claim 3 wherein the set of local area network carriers providing the local area network communication link between the slave ADSL transceiver remote unit and the master ADSL transceiver remote unit are adjacent to the plurality of ADSL carriers providing the ADSL communication link between the ADSL transceiver central office unit and the master ADSL transceiver remote unit.

5. The network in claim 3 wherein the ADSL frequency spectrum is comprised of the frequencies between 25 kHz and 552 kHz.

6. The network in claim 3 wherein the set of local area network carriers utilizing a frequency spectrum is comprised of the frequencies between 552 kHz and 1.104 MHz.

7. The network in claim 3 wherein the set of local area network carriers are coordinated by the slave DMT transceiver remote unit and the master DMT transceiver remote unit.

8. A discrete multitone (DMT) transceiver remote unit for communicating with at least one other DMT transceiver remote unit and capable of communicating with a central office comprising:

a DMT transceiver capable of communicating with the central office and with the at least one other DMT transceiver remote unit, wherein the DMT transceiver generates and receives time domain signals having a set of carriers; and

a controller in connection with the DMT transceiver, wherein the controller allocates a set of local area network carrier frequencies providing communication with the at least one other DMT transceiver remote unit, wherein the controller provides a local area network timing reference for the at least one other DMT transceiver remote unit when the central office is unavailable.

9. The DMT transceiver remote unit of claim 8 wherein the DMT transceiver remote unit is adaptable to exist as a master DMT transceiver remote unit or a slave DMT transceiver remote unit.

10. The DMT transceiver remote unit of claim 8 wherein the set of local area network carrier frequencies include idle carrier frequencies within a DSL frequency spectrum.

11. The DMT transceiver remote unit of claim 8 wherein the set of local area network carrier frequencies are within a local area network frequency spectrum adjacent to a DSL frequency spectrum.

12. A method for communicating with at least one other digital subscriber line (DSL) transceiver remote unit and capable of communicating with a central office comprising:

determining if a DSL transceiver remote unit having a DMT transceiver is a master, and if so;

determining if there is communication with a DSL central office unit, and if so;

locking a transmit and a receive sampling clock of the DMT transceiver to a transmit sampling clock of the central office;

aligning a first DMT transmit symbol of the DMT transceiver with a second DMT transmit symbol received from the central office;

14

coordinating a set of local area network carrier frequencies with the at least one other DSL transceiver remote unit providing a communication link with the at least one other DSL transceiver remote unit;

determining if there is communication with the DSL central office unit, and if not;

transmitting a network timing reference providing a local area network timing reference for the at least one other DSL transceiver remote unit; and

coordinating the set of local area network carrier frequencies with the at least one other DSL transceiver remote unit providing communication with the at least one other DSL transceiver remote unit.

13. A method for communicating with at least one other digital subscriber line (DSL) transceiver remote unit and capable of communicating with a central office comprising:

determining if a DSL transceiver remote unit having a DMT transceiver is a master, and if so;

determining if there is communication with a DSL central office unit, and if so;

locking a transmit and a receive sampling clock of the DMT transceiver to a transmit sampling clock of the central office;

aligning a first DMT transmit symbol of the DMT transceiver with a second DMT transmit symbol received from the central office;

coordinating a set of local area network carrier frequencies with the at least one other DSL transceiver remote unit providing a communication link with the at least one other DSL transceiver remote unit;

determining if the DSL transceiver remote unit having the DMT transceiver is the master, and if not;

locking the transmit and the receive sampling clock of the DMT transceiver to the transmit sampling clock of the DSL transceiver unit central office;

aligning the first DMT transmit symbol of the DMT transceiver with the second DMT transmit symbol received from the master DSL transceiver remote unit; and

coordinating the set of local area network carrier frequencies with the at least one other DSL transceiver remote unit providing the communication link with the at least one other DSL transceiver remote unit.

14. A method for communicating with at least one other digital subscriber line (DSL) transceiver remote unit and capable of communicating with a central office comprising:

determining if a DSL transceiver remote unit having a DMT transceiver is a master, and if so;

determining if there is communication with a DSL central office unit, and if so;

locking a transmit and a receive sampling clock of the DMT transceiver to a transmit sampling clock of the central office;

aligning a first DMT transmit symbol of the DMT transceiver with a second DMT transmit symbol received from the central office;

coordinating a set of local area network carrier frequencies with the at least one other DSL transceiver remote unit providing a communication link with the at least one other DSL transceiver remote unit;

determining if the DSL transceiver remote unit having the DMT transceiver is the master, and if not;

locking the transmit and the receive sampling clock of the DMT transceiver to the transmit sampling clock of the master DSL transceiver remote unit;

15

aligning the first DMT transmit symbol of the DMT transceiver with the second DMT transmit symbol received from the master DSL transceiver remote unit; and

coordinating the set of local area network carrier frequencies with the at least one other DSL transceiver remote unit providing the communication link with the at least one other DSL transceiver remote unit. 5

15. A method for communicating with at least one other digital subscriber line (DSL) transceiver remote unit and capable of communicating with a central office comprising: 10

determining if a DSL transceiver remote unit having a DMT transceiver is a master, and if so;

determining if there is communication with a DSL central office unit, and if so; 15

locking a transmit and a receive sampling clock of the DMT transceiver to a transmit sampling clock of the central office;

aligning a first DMT transmit symbol of the DMT transceiver with a second DMT transmit symbol received from the central office; 20

coordinating a set of local area network carrier frequencies with the at least one other DSL transceiver remote unit providing a communication link with the at least one other DSL transceiver remote unit; 25

determining if the DSL transceiver remote unit having the DMT transceiver is the master, and if not;

locking the transmit and the receive sampling clock of the DMT transceiver to the transmit sampling clock of the master DSL transceiver remote unit; 30

aligning the first DMT transmit symbol of the DMT transceiver with the second DMT transmit symbol received from the DSL transceiver unit central office; 35

and

coordinating the set of local area network carrier frequencies with the at least one other DSL transceiver remote unit providing the communication link with the at least one other DSL transceiver remote unit. 40

16. A method for communicating with at least one other digital subscriber line (DSL) transceiver remote unit and capable of communicating with a central office comprising:

16

determining if a DSL transceiver remote unit having a DMT transceiver is a master, and if so;

determining if there is communication with a DSL central office unit, and if so;

locking a transmit and a receive sampling clock of the DMT transceiver to a transmit sampling clock of the central office;

aligning a first DMT transmit symbol of the DMT transceiver with a second DMT transmit symbol received from the central office;

coordinating a set of local area network carrier frequencies with the at least one other DSL transceiver remote unit providing a communication link with the at least one other DSL transceiver remote unit;

determining if the DSL transceiver remote unit having the DMT transceiver is the master, and if not;

locking the transmit and the receive sampling clock of the DMT transceiver to the transmit sampling clock of the DSL transceiver unit central office;

aligning the first DMT transmit symbol of the DMT transceiver with the second DMT transmit symbol received from the DSL transceiver unit central office; and

coordinating the set of local area network carrier frequencies with the at least one other DSL transceiver remote unit providing the communication link with the at least one other DSL transceiver remote unit.

17. A computer readable medium having stored therein instructions for causing a central processing unit to execute the method of claim **12**.

18. A computer readable medium having stored therein instructions for causing a processor to execute the method of claim **13**.

19. A computer readable medium having stored therein instructions for causing a processor to execute the method of claim **14**.

20. A computer readable medium having stored therein instructions for to execute the method of claim **15**.

21. A computer readable medium having stored therein instructions for causing a processor to execute the method of claim **16**.

* * * * *